

Flame Manager

Solid State Design Provides Ignition and Flame Monitoring

Description:

Unit is Equipped with:

- On/Off Switch
- Flame Fail Light
- Flame On Light
- Completely Enclosed
- Compact Size
- Micro Processor Based Ignition Control
- Removable Cover for Easy Installation and Wiring
- Ignition and flame monitoring for burner capacities less than 400,00 BTU/HR
- 24 VAC-60HZ.



Part No. 090835 Shown

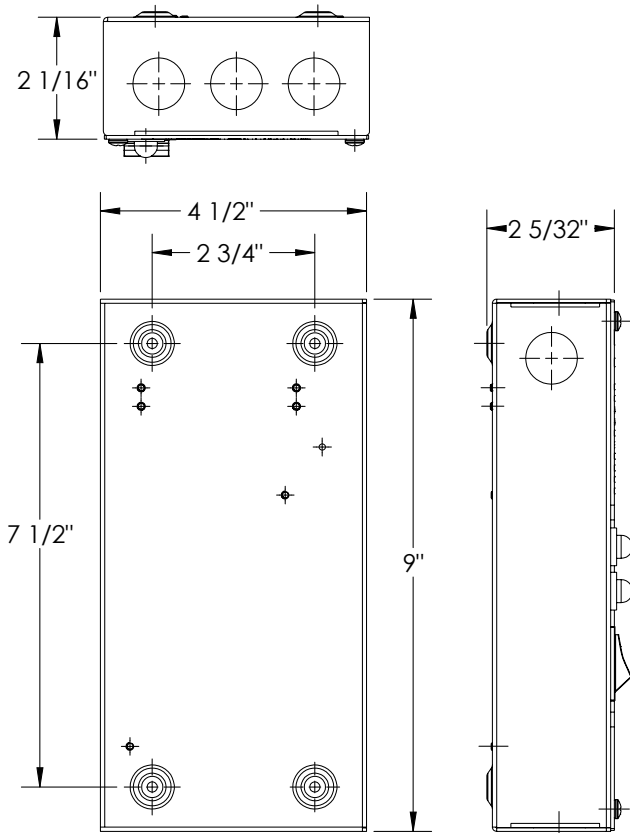
Specifications over ->

Flame Manager

Specifications:Electrical

Part No.	090835	090836
Description	FLAME MGR CC24S	FLAME MGR CC24S
Input Voltage	24 VAC	24 VAC
Input Current	100ma@117VAC	100ma@117VAC
Operating Temperature	-40°F to 185°F	-40°F to 185°F
Humidity	up to 95%	up to 95%
Trial for Ignition	8 sec	8 sec
Approval	CSA	CSA
Type	Combined Electrode and Sensor	Separate Electrode and Sensor

Specifications:Dimensions



Specifications:Wiring Diagram

