

Series "T" Burners Single-Slot Burners

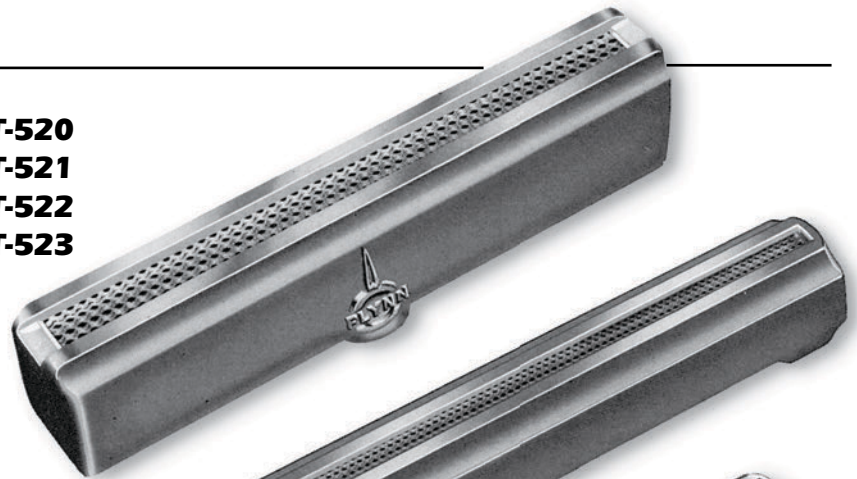
Description

"T" Series single slot burners have cast iron bodies and stainless steel ribbon ports. They provide a very evenly distributed and stable flame over the entire range of turndown. An almost unlimited variety of flame lengths can be specified. Available in various shapes.

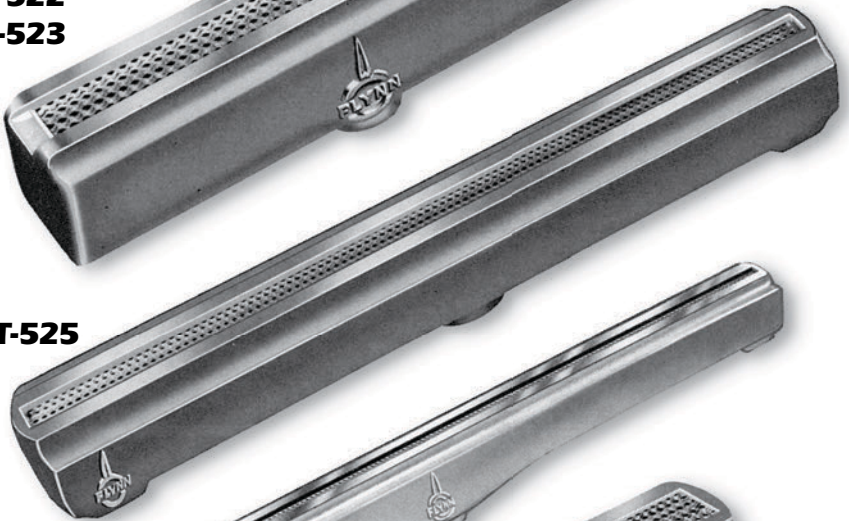
These single-slot "T" burners are particularly suitable for flame treating fabricated plastic items and other direct-flame applications.

All Flynn "T" single-slot burners operate with natural, manufactured or L.P gas and an air-gas mixing system that utilizes a compressed air supply or a conventional combustion air blower.

T-520
T-521
T-522
T-523



T-525



T-538
T-539



T-114
T-115
T-139

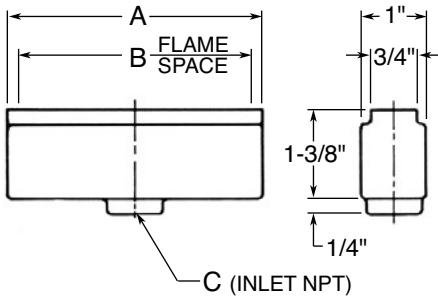


Capacities-BTU/hr

Part No	Designation	Flame Space	Operating Capacity	Minimum Capacity	Maximum Capacity	Mixer Size
068500	T-520	2"	6,000	2,000	12,000	1 FUM
068600	T-521	3-3/4"	11,000	4,000	22,000	2 FUM
068700	T-522	5-3/4"	17,000	6,000	30,000	3 FUM
068800	T-523	10"	30,000	10,000	50,000	3 FUM
069000	T-525	11-3/8"	33,000	11,500	54,000	6 FUM
071800	T-538	15-3/8"	36,000	16,000	56,000	6 FUM
071900	T-539	18"	38,000	18,000	58,000	6 FUM
066700	T-114	6"	15,000	6,000	30,000	3 FUM
066770	T-115	8"	20,000	8,000	40,000	3 FUM
068150	T-139	11"	27,500	11,000	50,000	6 FUM

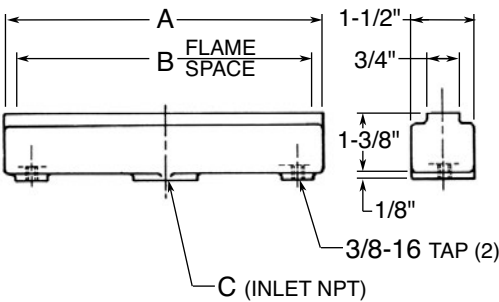
Series "T" Burners Single-Slot Burners

T-520
T-521
T-522
T-523



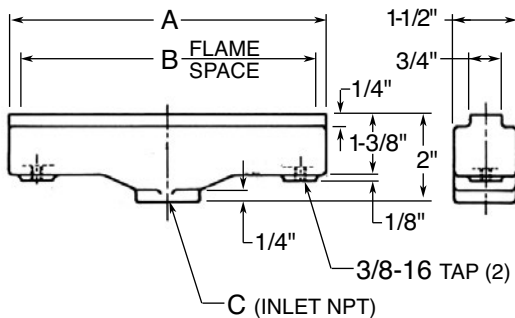
	A	B	C	Weight (lbs)
T-520	2-1/4"	2"	3/8"	1/4
T-521	4"	3-3/4"	3/8"	1/2
T-522	6"	5-3/4"	3/8"	1
T-523	10-1/4"	10"	3/8"	3

T-525



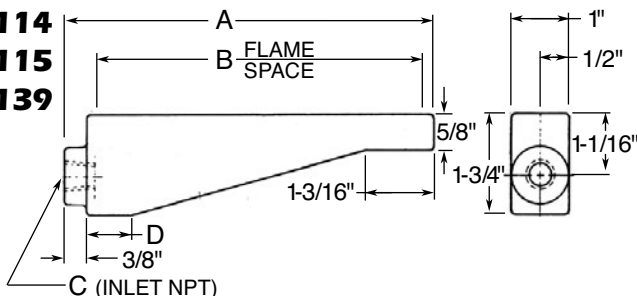
	A	B	C	Weight (lbs)
T-525	11-5/8"	11-3/8"	1/2"	4

T-538
T-539



	A	B	C	Weight (lbs)
T-538	15-5/8"	15-3/8"	1/2"	5
T-539	18-1/4"	18"	3/8"	6

T-114
T-115
T-139



	A	B	C	D	Weight (lbs)
T-114	6-3/8"	5-3/4"	3/8"	3/4"	1
T-115	8-3/8"	7-3/4"	3/8"	2-3/4"	2
T-139	11-3/8"	10-3/4"	3/8"	5-3/4"	3