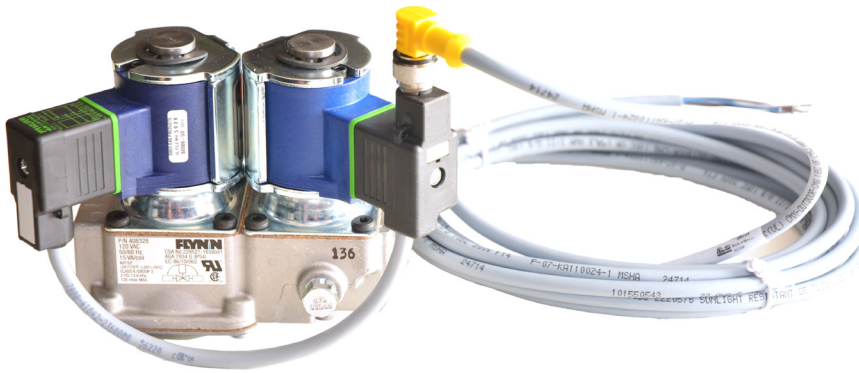


Dual Solenoid Gas Valve Inlet/Outlet Flange Kits



Application

These flanges are used on the Flynn Dual Series gas valves. They currently are configured for straight or 90° elbow connections. FLYNN offers replacement kits for Honeywell VK series only.

Flange kits for FLYNN gas valve will contain one flange with an o-ring and four mounting screws. These kits are not supplied with the 9/64 hex allen wrench. See table below for part numbers and cross reference.

Installation

1. Use only approved trained service technicians to replace service components.
2. Always review the o-rings for damage. Replace o-ring when replacing flanges.
3. Ensure the o-ring is seated in the groove before assembling the flange to the valve
4. Recommended torque is 20 in/lbs. maximum. Do not over-tighten.

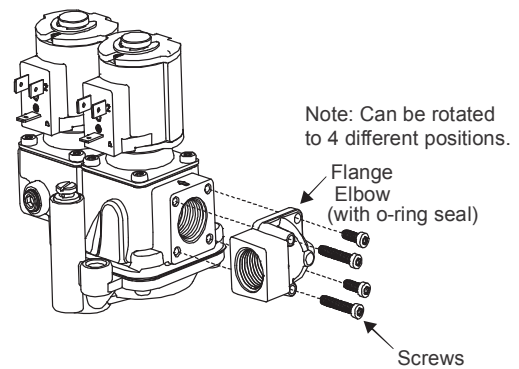


Figure 1:

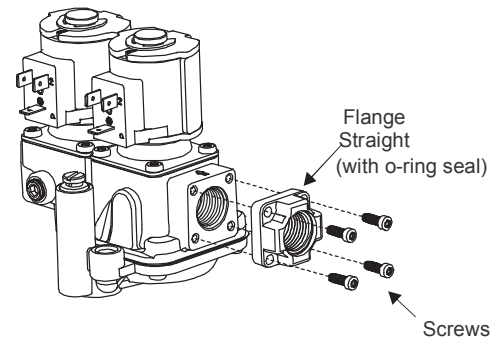


Figure 2:

FLYNN Part Number	Inlet/Outlet Pipe Size	Flange Type	Hardware	Replaces Honeywell	Will Not Replace Honeywell
KTS38N-1	3/8-18 NPT	Straight	Included	393690-1 or 393690-11	N/A
KTE38N-1	3/8-18 NPT	Elbow	Included	N/A	393690-2 or 393690-12
KTS50N-1	1/2-14 NPT	Straight	Included	393690-6 or 393690-16	N/A
KTE50N-1	1/2-14 NPT	Elbow	Included	N/A	393690-3 or 393690-13
KTS38B-1	3/8-19 BSPT	Straight	Included	N/A	N/A
KTE38B-1	3/8-19 BSPT	Elbow	Included	N/A	N/A
KTS50B-1	1/2-14 BSPT	Straight	Included	NA/	N/A
KTE50B-1	1/2-14 BSPT	Elbow	Included	N/A	N/A

Replacement o-ring kit part number KTRNG61-118.

Note:

The FLYNN flange hole pattern will not match the Honeywell VR Series.
The Honeywell VK Series hole pattern will match the FLYNN flanges.