

Balanced Zero Gas Regulator

Description

Flynn balanced zero regulators feature a rugged, large diaphragm actuated valve assembly. Each is sensitively balanced at near zero pressure. A small pressure differential across the main diaphragm initiates gas flow. Gas supply is system-demand-modulated by signals from a Flynn Unimixer or controlled pressure from an external source. Even with slight pressure variations, Flynn regulators will deliver gas at the appropriate pressure. The unique design of the unit assures high accuracy over full flow range.



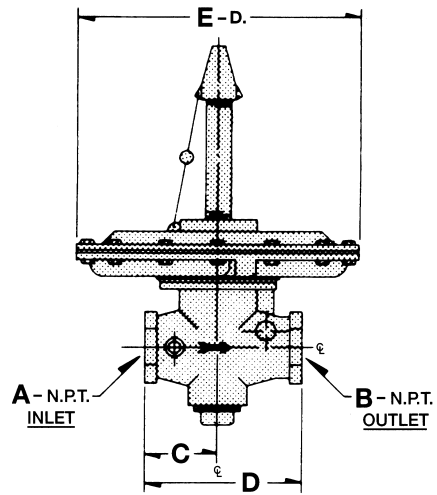
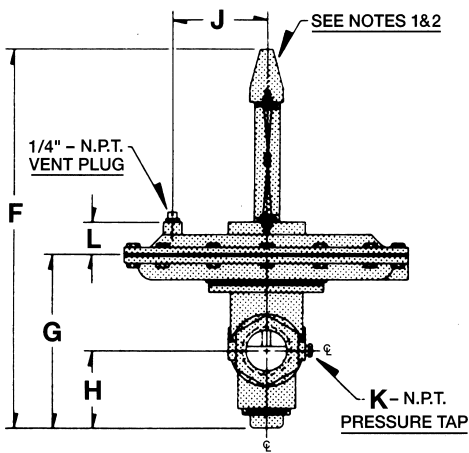
Capacities			Pipe Size	SCFH Gas Flow @ 4.0" H ₂ O Pressure Drop	
DP No.	Model No.	Inlet	Outlet	Natural 0.6 Sp. Gr.	Propane 1.5 Sp. Gr.
160180	6-BZR	3/4"	3/4"	650	410
160190	8-BZR	1"	1"	1,290	820
160200	12-BZR	1-1/2"	1-1/2"	2,580	1,640
160202	16-BZR	2"	2"	4,520	2,860
160204	20-BZR	2-1/2"	2-1/2"	6,450	4,100
160206	24-BZR	3"	3"	10,300	6,500

Specifications

Accuracy:	Low-Flow + 0.1" H ₂ O	Full-Flow + 0.3" H ₂ O
Turndown:	up to 200:1	
Operating temperature:	to 150°F	
Maximum inlet pressure:	2.0 PSIG	
Maximum pressure differential:	14.0" H ₂ O	
Sensitivity:	Responds to signal pressure differential as low as 0.04" H ₂ O	

Balanced Zero Gas Regulator

Dimensions 3/4" to 3" sizes



Model Number	Dimensions											Weight	
	A	B	C	D	E	F	G	H	J	K	L	lbs.	Kgs.
6-BZR	3/4	3/4	2-1/2	5	8-1/4	11-1/4	4-3/4	1-7/8	2-3/4	1/8	1-1/4	6.50	2.95
8-BZR	1	1	2-1/8	4-3/4	9-3/4	11-1/2	4-3/4	2	3-3/8	1/8	1-1/4	8.50	3.9
12-BZR	1-1/2	1-1/2	3	6-1/2	11-3/4	15-7/8	7-1/4	3-1/4	3-7/8	1/4	1-3/8	15.50	7.0
16-BZR	2	2	3-5/8	7-5/8	11-3/4	16	7-5/8	3-5/8	3-7/8	1/4	1-3/8	20.00	9.1
20-BZR	2-1/2	2-1/2	4	8-1/2	14	17-5/8	8-3/4	3-1/2	3-5/8	1/4	1-7/8	50.00	22.75
24-BZR	3	3	5-3/4	11-1/2	14	20-1/4	10-3/8	4-3/8	3-5/8	1/4	1-7/8	60.50	27.5