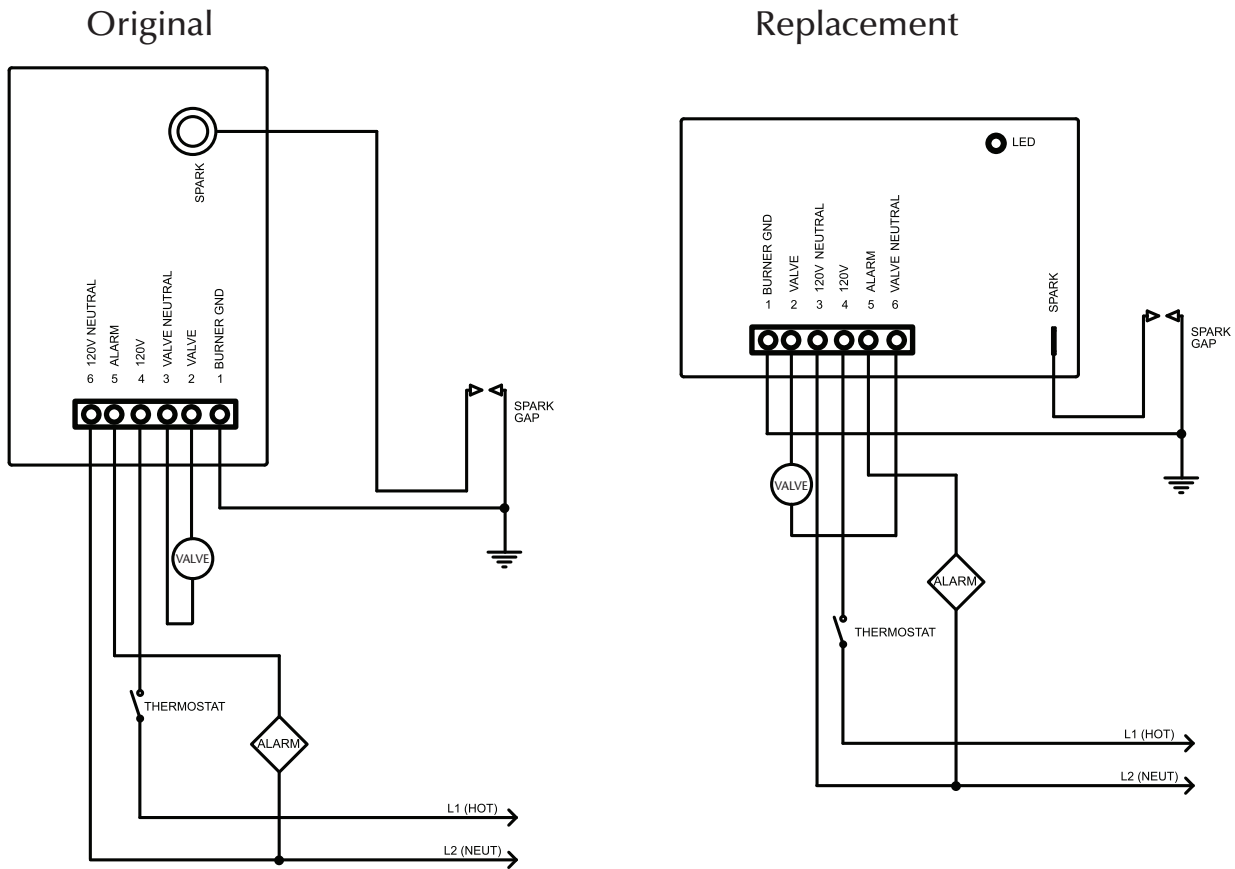


Trough Assembly Conversion

Installing an Encapsulated Flame Relay

Terminal Designations		
	Original	Replacement
Pin 1	BURNER GND	BURNER GND
Pin 2	VALVE	VALVE
Pin 3	VALVE NEUTRAL	120V NEUTRAL
Pin 4	120V	120V
Pin 5	ALARM	ALARM
Pin 6	120V NEUTRAL	VALVE NEUTRAL
Pin 7	FLAME SENSE	FLAME SENSE (external - 407738)

Note: Pin 3 & Pin 6 reversed.



Combined Electrode/Sensor Part No. 407589